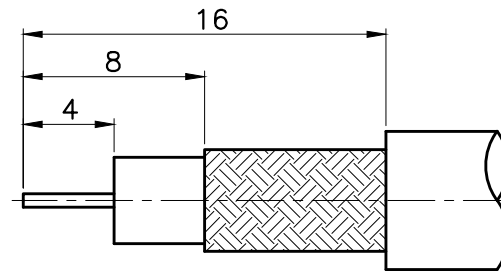
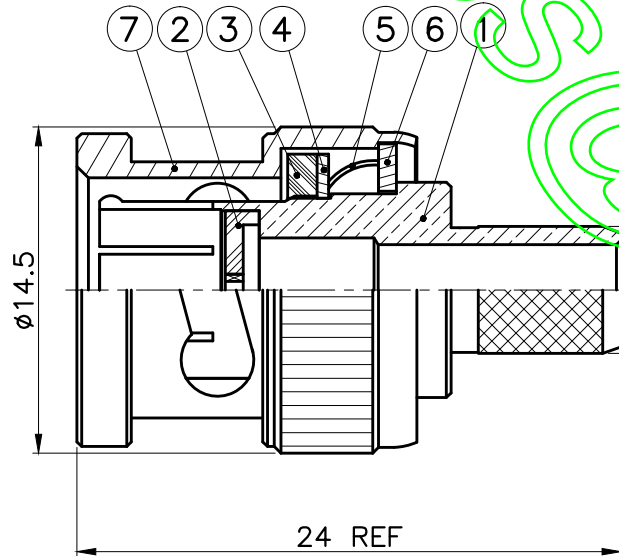
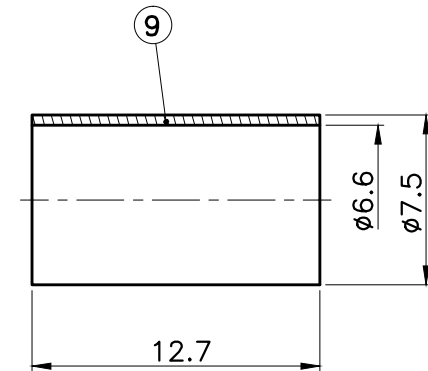
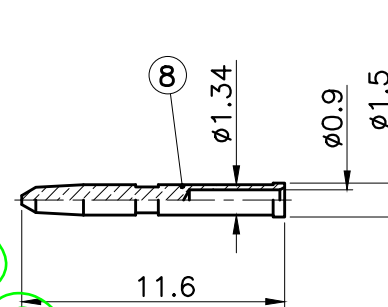


ISS	REVISIONS	DESCRIPTION	DATE

RoHS COMPLIANT



RECOMMENDED
CABLE STRIPPING DIM'S



Electrical	
Impedance	75 ohm
Frequency Range	0-3GHz
VSWR	1.3 max.

1. CRIMPED FERRULE
HEX CRIMP SIZE .256"
2. CRIMPED CONTACT PIN
SQ CRIMP SIZE .042"

CONNECTORS CABLES



SPECIALISTS LTD.

TITLE: BNC MALE CRIMP (75 ohm)
(1505A AND 1505F CABLE)

PART NO: BPCR1505HD

DRAWING NO:

APRD:

CHKD:

DR:

DATE: 08/19/13"

SHEET: .

UNLESS OTHERWISE
SPECIFIED TOLERANCES

0.5-6 = ±0.2
>6-30 = ±0.4
>30-120 = ±0.6
>120-315 = ±1
>315-1000 = ±1.6
ANGLES = ±5°

UNIT: mm

SCALE: 3/1

NO.	DESCRIPTION	MATERIAL	FINISH
9	FERRULE	BRASS	NICKEL
8	CONTACT PIN	BRASS	GOLD
7	SHELL	BRASS	NICKEL
6	WASHER	STEEL	NICKEL
5	SPRING	SK-5	NICKEL
4	C RING	STEEL	NICKEL
3	GASKET	PVC	RED
2	INSULATOR	DELTRIN	WHITE
1	BODY	BRASS	NICKEL